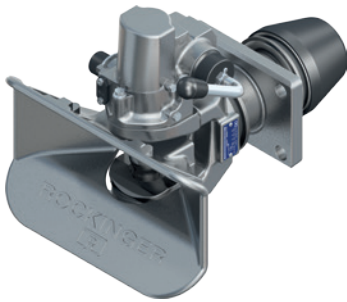
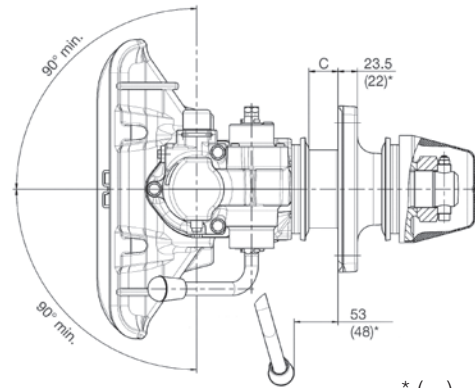
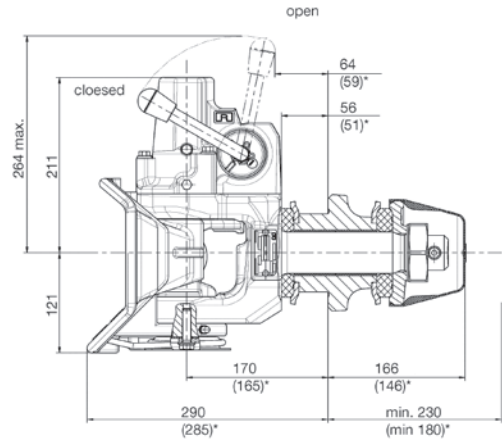


# RO★500 – 50 mm

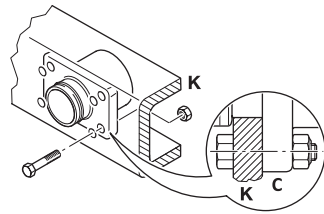
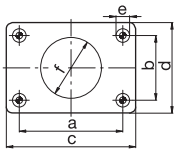
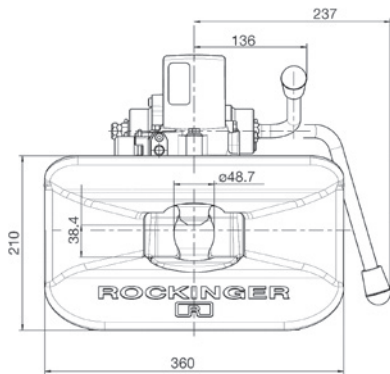
- DE** Standardkupplung
- EN** Standard hitch
- FR** Crochet standard
- IT** Gancio di traino standard
- ES** Enganche estándar



a = 50 mm  
DIN 74053, ECE R55-01 (Class D)



\* (...) = G3



	a (mm)	b (mm)	c (mm)	d (mm)	e (mm)	f (mm)
3	120,0	55,0	155,0	90,0	15,0	74,0
4	140,0	80,0	180,0	120,0	17,0	84,0
5	160,0	100,0	200,0	140,0	21,0	94,0

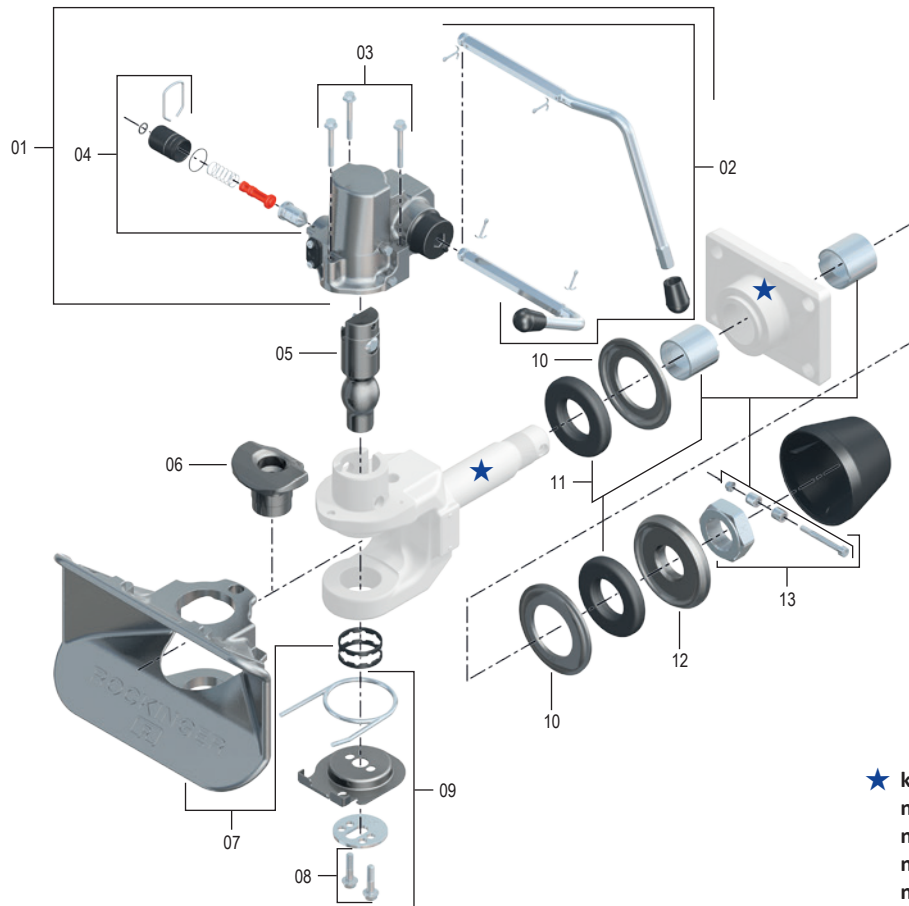
	T (mm)	T (mm)	C (mm)
3	11-32	max. 32	22
4/5	11-35	max. 35	23,5

## Technische Daten • Technical data • Données technique • Dati tecnici • Datos técnicos

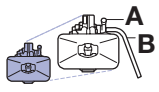

		(mm)	D (kN)	Dc (kN)	S (kg)	V (kN)	(kg)	ECE
RO 500A31004	3	120 x 55	70	70,0	500	26,4	32,0	E1 55R-01 0355
RO 500B31004	3	120 x 55	70	70,0	700	24,0	32,0	E1 55R-01 0355
RO 500A41004	4	140 x 80	100	91,5	1000	31,2	37,0	E1 55R-01 0354
RO 500B41004	4	140 x 80	100	91,5	1000	31,2	37,0	E1 55R-01 0354
RO 500A50004	5	160 x 100	130	90,0	1000	35,0	38,0	E1 55R-01 1784
RO 500B50004	5	160 x 100	130	90,0	1000	35,0	38,0	E1 55R-01 1784

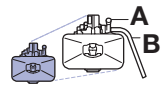

# RO★500

Ersatzteile • Spare parts • Pièces de rechange • Ricambi • Piezas de recambio



★ kein Ersatzteil  
no spare part  
non pièce de rechange  
no ricambio  
no es pieza de recambio

Pos		ROE	
01		ROE 71858A	1
01		ROE 71858B	1
02		ROE 50294	1
02		ROE 50296	1
03		ROE 30269	1
04		ROE 71747	1
05		ROE 47081	1
06		ROE 53652	1
07		ROE 46111	1
08		ROE 30486	1
09		ROE 71331	1

Pos		ROE	
10		RO500A31xx4	2
10		RO500A41/50xx4	2
11		RO500A31xx4	1
11		RO500A41/50xx4	1
12		RO500A41/50xx4	1
12		RO500A31xx4	1
13		RO500A31xx4	1
13		RO500A41/50xx4	1
14		RO500A31xx4	1
14		RO500A41/50xx4	1